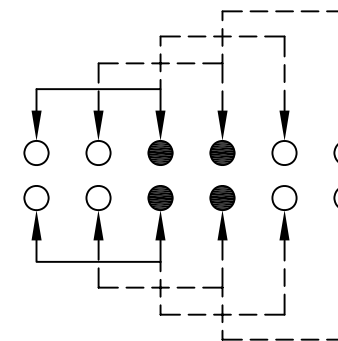
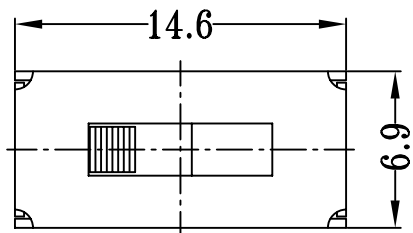
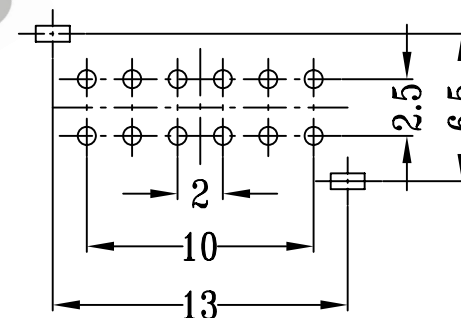
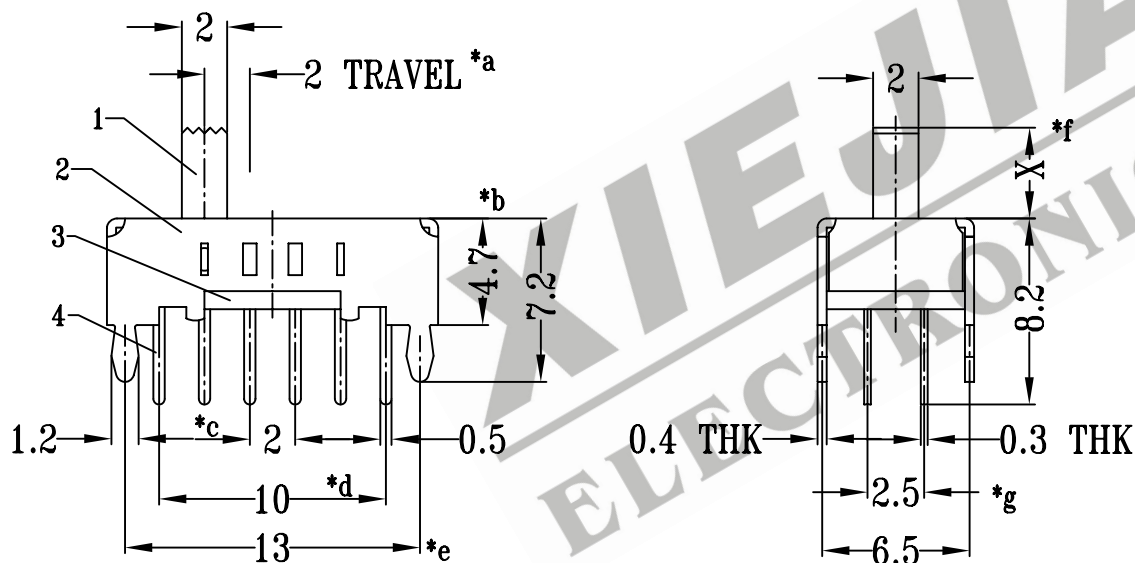


CAD FILE:



SCHEMATIC (NON-SHORTING)



P.C.B LAYOUT

注:带*表示关键尺寸(7个)

NO.	PARTS	MATERIALS	Q'TY	FINISH	TOLERANCE UNLESS SPECIFIED	SHENZHEN XIEJIA ELECTRONICS CO.,LTD.				
8						TITLE : VERTICAL SLIDE SWITCH MODEL: SS-24D02				
7										UNLESS SPECIFIED
6	SPRING PLATE	STAINLESS STEEL	2	NATURAL	WITHIN: 1.5±0.1mm	ISSUE	DATE	DESCRIPTIONS OF REVISION		APPD.
5	CONTACT CLIP	PBS	2	Ag CLAD	OVER : 1.5±0.2mm					
4	TERMINAL	BRASS STRIP	12	Ag PLATED OVER Ni PLATED	UNIT : mm		DRWG NO.: XJ-DR-SS24D02-00			
3	BASE	PHENOLIC RESIN	1	NATURAL	SCALE: 3:1		DWN.	ZHOUYU	2002-8-11	
2	FRAME	STEEL STRIP	1	Ni PLATED			CHK'D	FANGYING	2002-8-11	
1	KNOB	POM	1	BLACK	ALL MATERIALS MUST BE COMPLIANT TO ROHS		APPD.	KANGXINAN	2002-8-11	